

IS-100

Ophthalmic unit



High quality and functional design



IS-100

The IS-100 Instrument Stand combines comfort, functionality and design in a compact unit that is affordably priced. Available in right or left-hand versions, the IS-100 allows the use of two instruments on a sliding table that swivels out of the way for easy patient access. The unit can be completed with a trial lens drawer. Its modern design and color combination blends seamlessly with any examination room decor.

The small foot print of the IS-100 permits installing in areas with limited space and its intuitive control panel provides complete control of the chair functions, room lights, instrument switching and other features.

The IS-100 can be combined with a standard ophthalmic chair with fixed back (OC-8) or a fully reclinable version (OC-9). Both chairs have an extended elevation stroke with smooth and quiet movement. The dedicated phoropter arm is available with a mechanical lock (VT-670) or with counter balanced mechanism (VT-671), providing a variety of configurations for the modern practice.



Color Selectable Ambient Light

The IS-100 incorporates an innovative lighting system combining fluorescent lamps and LED lighting in different colors. The soft LED source provides a pleasant ambient light and reduces the contrast of the surrounding lighting conditions. The color and brightness can be selected with a dedicated remote controller.

IS-100 Standard features



Control panel

The IS-100 intuitive control panel is illuminated for enhanced visibility in dark environments and has several functions:

- | Chair elevation control
- | Switching on/off the unit including all installed instruments
- | Switching on/off the room illumination light (dimnable from 0% - 100%)
- | Switching on/off the ambient LED lighting system



Room illumination light

The IS-100 includes a 24V LED illumination light at the top of the column. This light can be adjusted from the control panel (dimnable from 0% - 100%) and illuminates the room according to the type of examination being performed.

Safety stopper

The IS-100 has a safety mechanism located under the table top that automatically stops the chair elevation if it comes in contact with the patient's leg.

Energy saving modus

When no activity of the unit is registered for a specific number of hours, the unit will shut down completely, including all connected instruments saving electricity and prolonging instrument life.



Clean cable management

Clean and neat cable management keeps the IS-100 uncluttered and organized. All cabling from the instruments is concealed by the table top cable management system.

IS-100 Configurations

IS-100 Configurations

The innovative IS-100 is available in right-hand or left-hand versions. The unit features a swivel table top that accommodates two instruments. The table

top is fingerprint proof, easy to clean and scratch resistant. An optional trial lens drawer and a mounting bracket for the CV-5000 Vision Tester are also available for added convenience.



OC-8 Blue



OC-8 Black



OC-9 Blue



OC-9 Black

IS-100 Ophthalmic Chairs

Topcon refraction chairs are designed to provide a comfortable seating for patients during examination. Two ergonomic types are available to use with the IS-100: the standard version (OC-8) and the fully reclinable version (OC-9). Both chairs provide a 200 mm elevation stroke with smooth and quiet movement. The foldable armrests provide extra flexibility and comfort. The OC-8 and OC-9 chairs can be operated from the main panel of the IS-100 or with an optional foot switch.

OC-8 chair

The OC-8 ophthalmic chair has a fixed back and is available in blue or dark grey. The OC-8 can be completed with an optional foot rest.

OC-9 chair

The OC-9 ophthalmic chair has a 180° fully reclinable back to facilitate in-office procedures and provide added flexibility. The OC-9 is available in blue or dark grey and features an incorporated foot rest.

IS-100 Optional accessories

Chair Accessories

Foot rest for OC-8

An optional foot rest is available for the OC-8. This foot rest helps patients to sit in a correct ergonomic position and reduces strain on the legs, back and neck.



Foot switch

This optional foot switch can be connected to the IS-100 unit to control the up/down movement of the chair. It provides safe and easy control of the chair.



IS-100 optional phoropter arms

VT-670 mechanical lock phoropter arm

The VT-670 phoropter arm enables mounting of the majority of available phoropter heads in the market. The mechanical lock ensures fixed positioning of the phoropter in front of the patient. The phoropter arm comes in a silver metallic color.



VT-671 counter-balanced phoropter arm

The VT-671 phoropter arm is available with a handle for easy maneuvering of the phoropter head. The spring-loaded counter balanced mechanism ensures stable positioning of the phoropter. The phoropter arm comes in a silver metallic color.



Projector (ACP) support

A chart projector support is available for the IS-100. The support attaches to the IS-100 column facilitating visual acuity testing.



IS-100 Optional accessories



Trial lens drawers

The IS-100 offers two sizes of trial lens drawers: the standard size TLD-100 and the enlarged TLD-100XL. Both offer a smooth closing system and can be conveniently mounted on the IS-100 stand to accommodate any size of trial lens sets.



Reading light

An optional LED reading light can be connected to the column of the IS-100. The RL-100 reading light has a flexible arm which easily aims the beam to the correct position. The color of the light is warm white for added comfort during near vision exams.



Bracket for power supply

This optional bracket fits seamlessly with the basic unit and holds the CV-5000 Vision Tester power supply providing easy access to the print out. If no CV-5000 is used, the bracket can be used for additional storage space.



Slit lamp power supply

The slit lamp generic power supply (PS-100) can be used to power slit lamps that have no dedicated power supply of their own. This generic power supply can be mounted under the table top and provides easy access to the slit lamp illumination control.



Satellite support

These stable floor stand satellite supports can be placed anywhere around the IS-100 and provide added flexibility to the refraction procedure. The satellite support accommodates the Topcon CV-5000 control unit (KB-50S) and can also be fitted with the mounting bracket to hold its power supply.



Trial lens drawer support

This trial lens drawer is also available as stand-alone furniture. It consists of a floor stand with a trial lens drawer. The trial lens drawer is available in two sizes. The drawers can accommodate different sizes of trial lens sets. Additionally, it can be used to hold the Topcon CV-5000 control unit KB-50S.

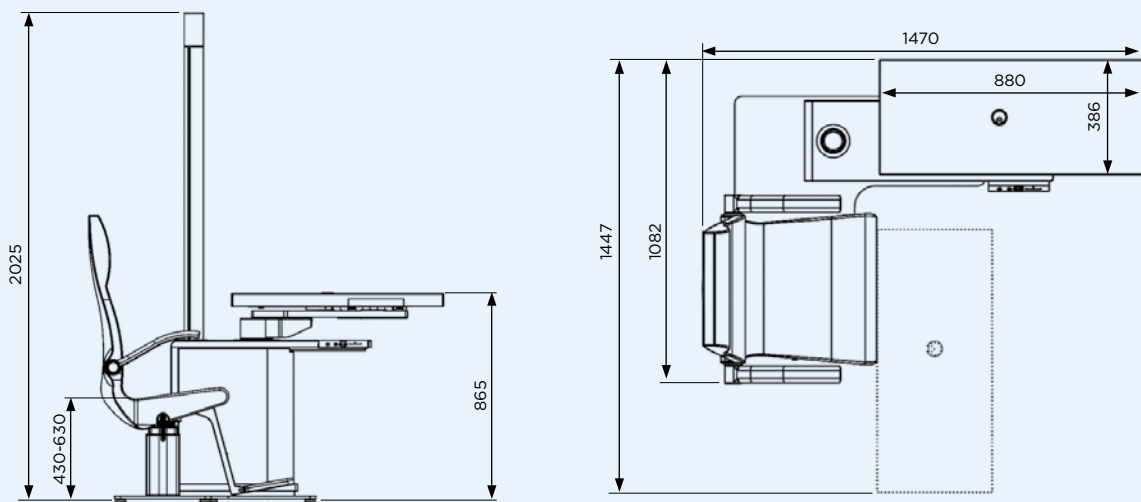
IS-100 Specifications



Accessory tray

A compact accessory tray can be placed on the unit between the column and the table top arm. The patient can store their glasses and other personal items in this tray during examination.

General dimensions



Specifications

Technical specifications ophthalmic chairs

Chair	OC-8	OC-9
Back rest	Fixed type	180° fully reclinable
Arm rest	Foldable	Foldable
Foot rest (Optional accessory)	Optional	Standard
Maximum load	170 kg	160 kg
Horizontal displacement	No	100 mm mechanical
Possibility of additional neck rest	No	No
Maximum height	630 mm	680 mm
Minimum height	430 mm	480 mm
Stroke/Range	200 mm	200 mm
Angle° rotation with manual brake	40°	40°
Maximum power consumption (VA)	110 VA	110 VA
Electrical classification	Class I, Type B	Class I, Type B
Electrical protection class	IPX6	IPX6
Net weight	30 kg	50 kg
Overload: thermal protection. Motor stop 3 min. approx. duty cycle 1/9 min.	2 min / 18 min is the recommended duty cycle, but the motor does not stop.	2 min / 18 min is the recommended duty cycle, but the motor does not stop.

Specifications

Technical specifications phoropter arms

	VT-670	VT-671
Load capacity change	4.5 - 10 kg (adjustable)	4.5 - 10 kg (adjustable)
Stroke of phoropter arm	+43° / -15°	+43° / -15°
Maximum horizontal rotation of phoropter arm	Free	Free
Positioning lock	Mechanical	Counterbalanced
Net weight of phoropter arm	6.6 kg	6.6 kg

Technical specifications IS-100

Unit	IS-100
Power	110 - 240 V - / 50 - 60 Hz
Maximum consumption	850 VA
Electrical classification	Class I, Type B
Electrical protection class	IP21
Consumption of first tabletop instrument (SL)	110 - 220V / 160 VA
Consumption of second tabletop instrument (SL)	110 - 220V / 150 VA
Overhead lamp output	0 - 24V
Net weight IS-100	115 kg
Maximum load of instruments on the tabletop	20 kg + 20 kg

IMPORTANT

Subject to change in design and/or specifications without advanced notice.
In order to obtain the best results with this instrument, please be sure to review all user instructions prior to operation.
Medical device Class I. Manufacturer: Antoni Carles S.A.



Topcon Europe Medical B.V.
Essebaan 11; 2908 LJ Capelle a/d IJssel; P.O. Box 145;
2900 AC Capelle a/d IJssel; The Netherlands
Phone: +31-(0)10-4585077; Fax: +31-(0)10-4585045
E-mail: medical@topcon.eu; www.topcon-medical.eu

Topcon Danmark
Præstemarksvej 25, 4000 Roskilde, Denmark
Phone: +45-46-327500; Fax: +45-46-327555
E-mail: info@topcon.dk;
www.topcon.dk

Topcon Scandinavia A.B.
Neogatan 2; P.O. Box 25; 43151 Mölndal, Sweden
Phone: +46-(0)31-7109200; Fax: +46-(0)31-7109249
E-mail: medical@topcon.se; www.topcon.se

Topcon España S.A.
HEAD OFFICE; Frederic Mompou, 4;
08960 Sant Just Desvern; Barcelona, Spain
Phone: +34-93-4734057; Fax: +34-93-4733932
E-mail: medica@topcon.es; www.topcon.es

Topcon Italy
Viale dell' Industria 60;
20037 Paderno Dugnano, (MI) Italy
Phone: +39-(0)2-9186671; Fax: +39-02-91081091
E-mail: info@topcon.it; www.topcon.it

Topcon France
BAT A1; 3 route de la révolte, 93206 Saint Denis Cedex
Phone: +33-(0)1-49212323; Fax: +33-(0)1-49212324
E-mail: topcon@topcon.fr; www.topcon-medical.fr

Topcon Deutschland GmbH
Hanns-Martin-Schleyer Strasse 41;
D-47877 Willich, Germany
Phone: (+49) 2154-885-0; Fax: (+49) 2154-885-177
E-mail: info@topcon-medical.de; www.topcon-medical.de

Topcon Polska Sp. z o.o.
ul. Warszawska 23; 42-470 Siewierz; Poland
Phone: +48-(0)32-670-50-45; Fax: +48-(0)32-671-34-05
www.topcon-polska.pl

Topcon Great Britain Ltd.
Topcon House; Kennet Side; Bone Lane; Newbury
Berkshire RG14 5PX; United Kingdom
Phone: +44-(0)1635-551120; Fax: +44-(0)1635-551170
E-mail: medical@topcon.co.uk; www.topcon.co.uk

Topcon Ireland
Unit 276, Blanchardstown; Corporate Park 2
Ballycoolin; Dublin 15, Ireland
Phone: +353-18975900; Fax: +353-18293915
E-mail: medical@topcon.ie; www.topcon.ie



TOPCON EUROPE MEDICAL B.V.

Essebaan 11, 2908 LJ Capelle a/d IJssel, The Netherlands
Phone: +31-(0)10-4585077; Fax: +31-(0)10-4585045;
E-mail: medical@topcon.eu; www.topcon-medical.eu